

# B Series

## PRODUCT DATA SHEET

### Metal Heater

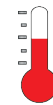
#### Durable, efficient chemical heater

For use in most aqueous alkaline solutions

Low watt density design saves space & ensures long life

Vapor resistant, flame retardant polypropylene terminal

Grounded construction and built in thermal protector



Up to 180°F (82°C)



500 watts to 1,500 watts



120 to 415 volts



304 stainless steel, 316 stainless steel, Titanium



cULus listed (except steel) and CE compliant (except 600 volts)

B SERIES, 1¼" SMALL TANK METAL HEATERS							
WATTS	VOLTS	HOT	OVERALL	304	316	TITANIUM	SHIP
		ZONE	LENGTH	SS	SS		
		In./(mm)	In./(mm)				Lbs./(kg)
500	120	5	10	FB.5110-**	SB.5110-**	TB.5110-**	5
	240	(127)	(254)	FB.5210-**	SB.5210-**	TB.5210-**	(2.3)
1000	120	8	14	FB1114-**	SB1114-**	TB1114-**	6
	240	(203)	(356)	FB1214-**	SB1214-**	TB1214-**	(2.7)
1500	120	11	17	FB1.5117-**	SB1.5117-**	TB1.5117-**	8
	240	(279)	(432)	FB1.5217-**	SB1.5217-**	TB1.5217-**	(3.6)

**PROCESS TECHNOLOGY**

ISO 9001:2015  
WITH DESIGN CERTIFIED

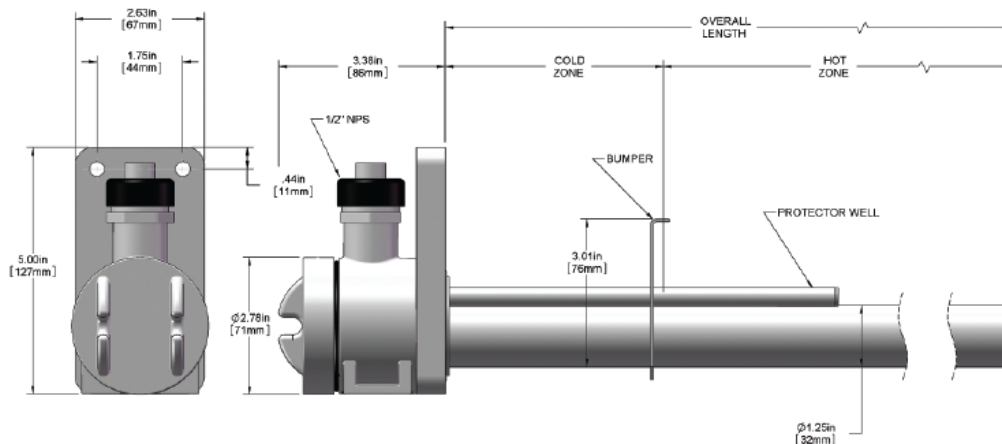
## Features & Values

- For use in most aqueous alkaline solutions, and plating and phosphate tanks. Check solution recommendation chart with your chemical supplier for proper sheath material selection
- Heavy wall metal sheaths available in: 304 stainless steel, 316 stainless steel and Titanium
- Watt densities up to 45 watts per square inch (6.9 w/cm<sup>2</sup>) ensure long service life.
- Vapor resistant, flame retardant polypropylene terminal enclosure with 3 ft (.9m) flexible PVC liquid tight conduit.

## Specifications

<b>Wattages</b>	500 watts to 1,500 watts
<b>Voltages</b>	120 to 415 volts
<b>Temperature Range</b>	Up to 180°F (82°C)
<b>Options</b>	<ul style="list-style-type: none"> <li>▫ Special configurations and lengths</li> <li>▫ Longer wire and conduit lengths</li> <li>▫ Lower watt densities for highly viscous solutions</li> <li>▫ Temperature and level controls sized to match the heater (sold separately)</li> <li>▫ All metal welded junction box</li> </ul>
<b>Safety Features</b>	<ul style="list-style-type: none"> <li>▫ Grounded construction</li> <li>▫ Thermal protector built in. Replaceable PI protector standard for solutions up to 180°F (82°C)</li> <li>▫ Non-floating construction</li> </ul>
<b>Certifications</b>	cULus listed (except steel) and CE compliant (except 600 volts)

## Dimensions



## Model Number Breakdown

SB	1	8	10	P2	
Series	Wattage	Voltage	Length (in.)	Type of Protector	Wire and Conduit Length
FB = 304 Stainless Steel	.5 = 500	1 = 120	10 = .5kW	Replaceable Protector	no designator = 36" length standard
SB = 316 Stainless Steel	1 = 1000	2 = 240	14 = 1kW	P1 (std) = for solutions up to 180°F	specify variations from standard Ex: -X84 = 84"
TB = Titanium	1.5 = 1500	8 = 208	17 = 1.5kW	P4 = for solutions up to 230°F	
		9 = 220	specify custom lengths, not to exceed tank depth	Resettable Protector	
		0 = 200		P2 = for solutions up to 180°F	P6 = for solutions up to 230°F

**PROCESS  
TECHNOLOGY**